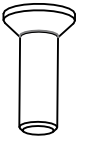


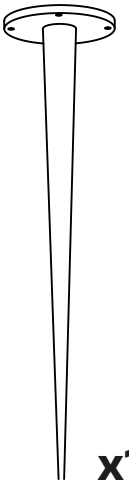
C - 01

V

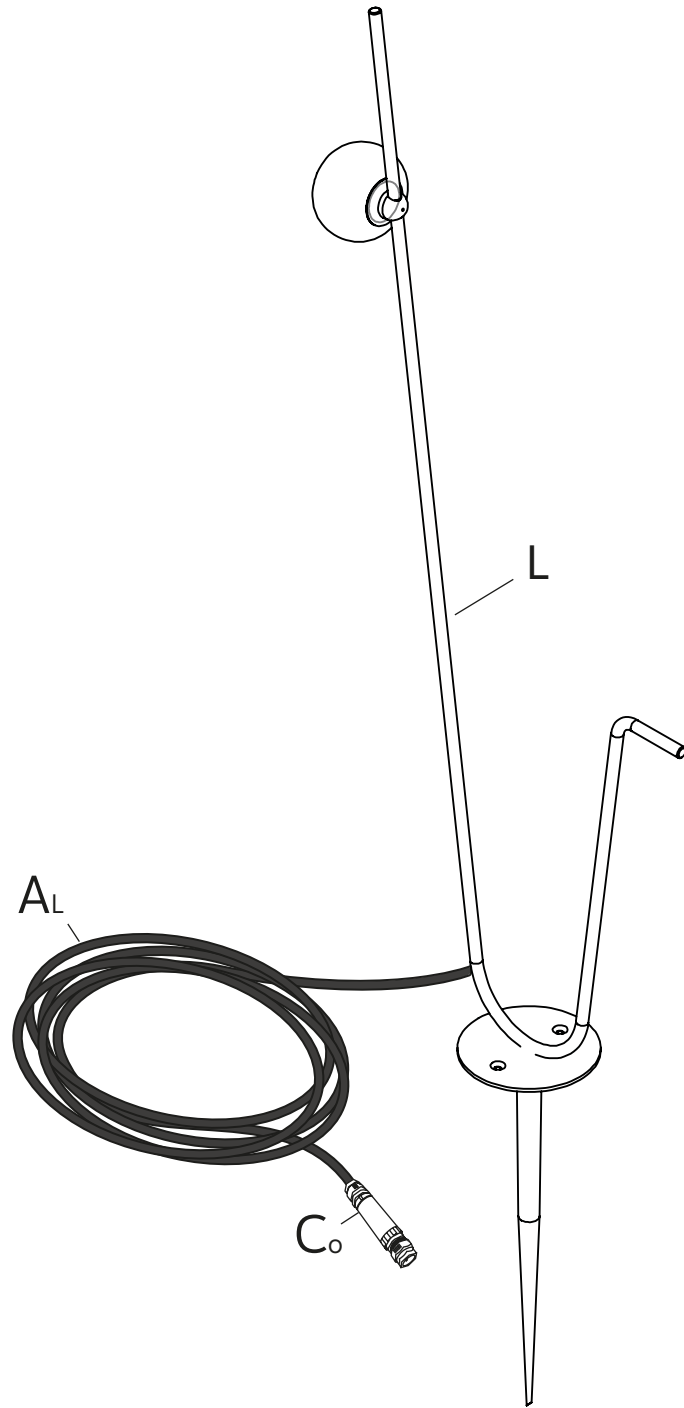


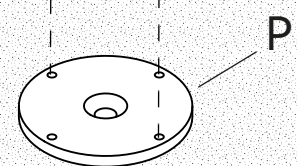
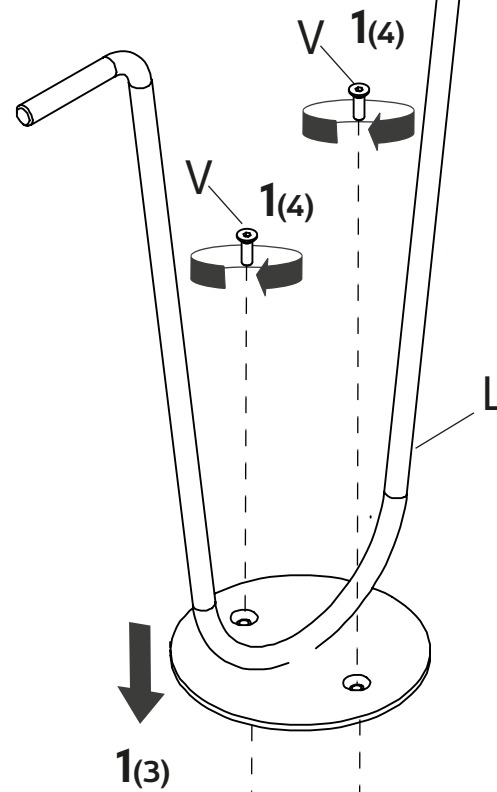
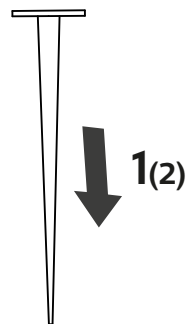
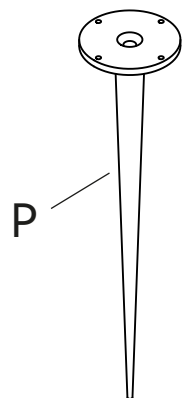
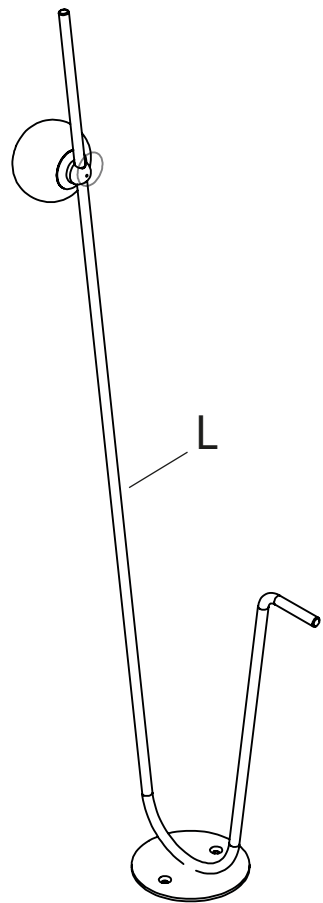
x2

P

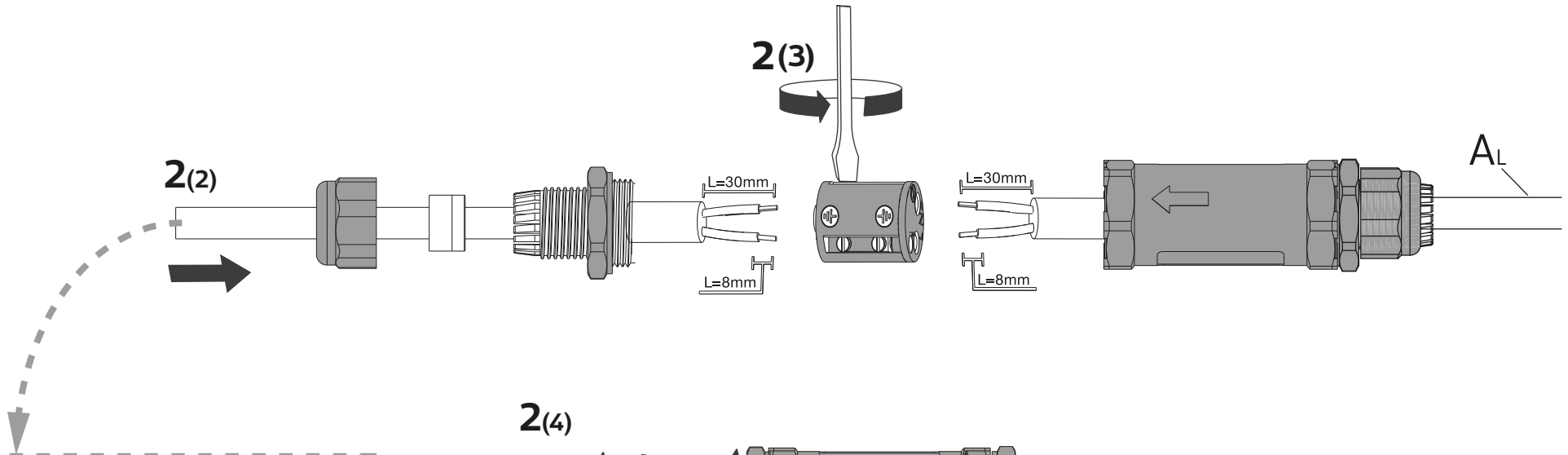
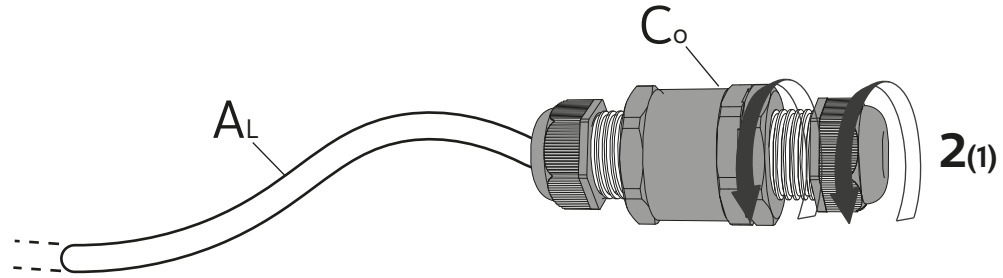
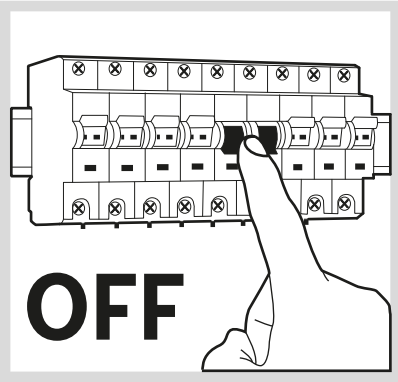



x1

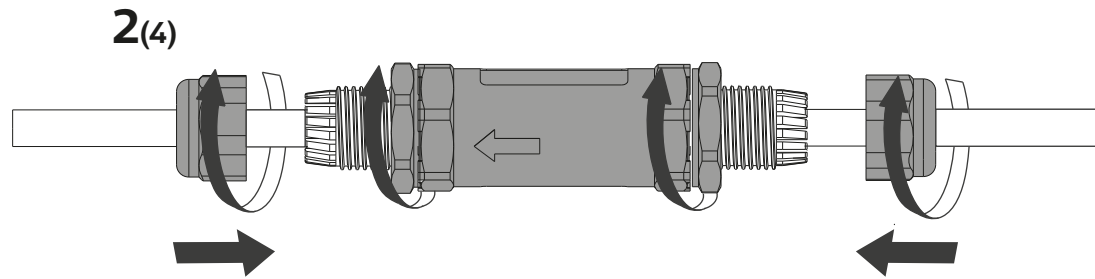




1




Constant current
350 mA - 9V
3,2W



2-3 POLI \varnothing 24 Nm 2.5

