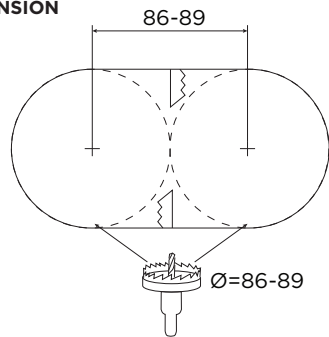


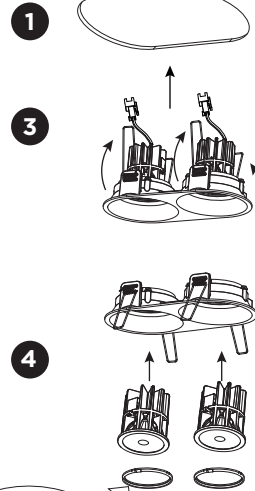
# DEEP ADJUST 2.0

INSTALLATION INSTRUCTIONS | MARCH 2023

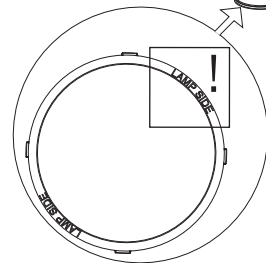
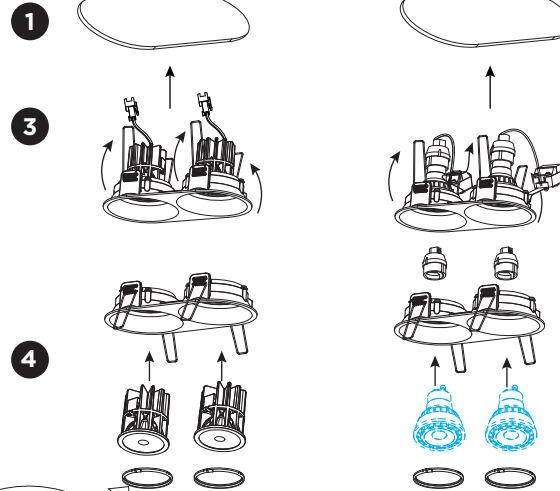
## HOLE DIMENSION





## 2.0 LED

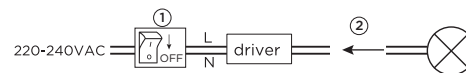


## 2.0 PAR16

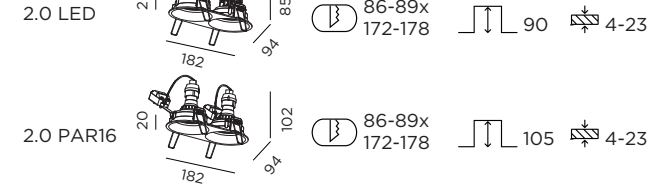


  Driver must be powered off before connecting cables.

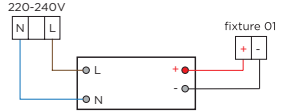
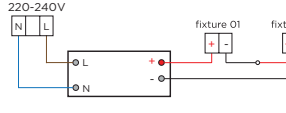
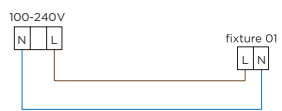
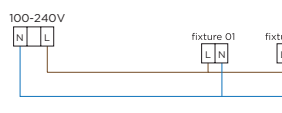
Before connecting the luminaire/LED module to the driver please make sure the driver is not powered but disconnected from the mains. The driver can only be powered when the luminaire/LED module is already connected. Disregarding this instruction might damage or even destroy the luminaire/LED module.



## DIMENSIONS

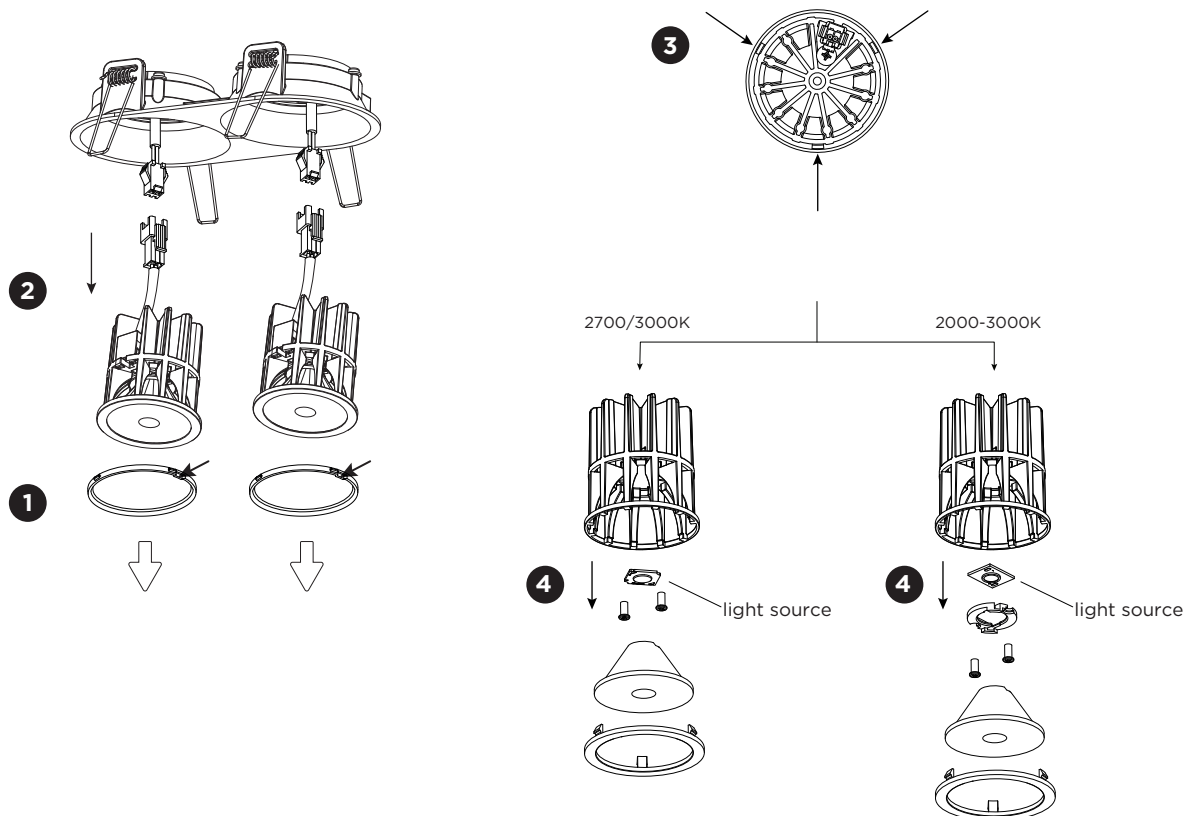


## MOUNTING INSTRUCTION

- 1 Make a hole in the ceiling according to the prescribed dimensions.
- 2 POWER CONNECTION  
**LED** Always use a driver according to the specifications of the LED module.  
**Single connection**  
  
**Multiple connection**  
  
**PAR16**  
**Single connection**  
  
**Multiple connection**  

- 3 Push the springs up and insert the fixture in the ceiling hole.
- 4 Place the LED module in the housing and fix it with the spring clip.

# DEEP ADJUST 2.0

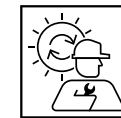
INSTALLATION INSTRUCTIONS | MARCH 2023



## DISMOUNTING AND RECYCLING INSTRUCTIONS

### Light source

- 1 Push in the slot of the spring clip(s) and pull it/them down.
- 2 Unplug the LED module(s) to remove it/them from the luminaire.
- 3 Push at the three points to loosen the front ring(s).
- 4 Take out the lens(es) and unscrew the holder(s) or light source(s) to remove the light source(s).



The light source is replaceable by an authorized professional.  
For advice contact your Wever & Ducré customer service contact point.



This luminaire contains a light source with the energy class D.