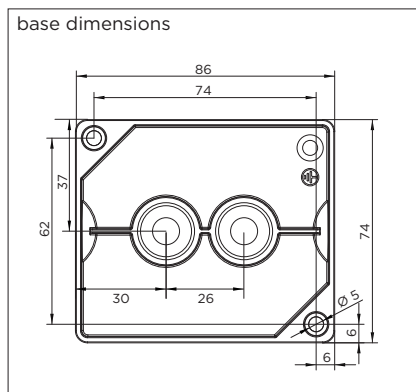
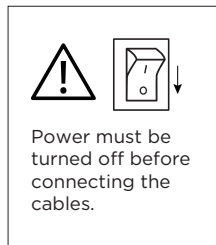
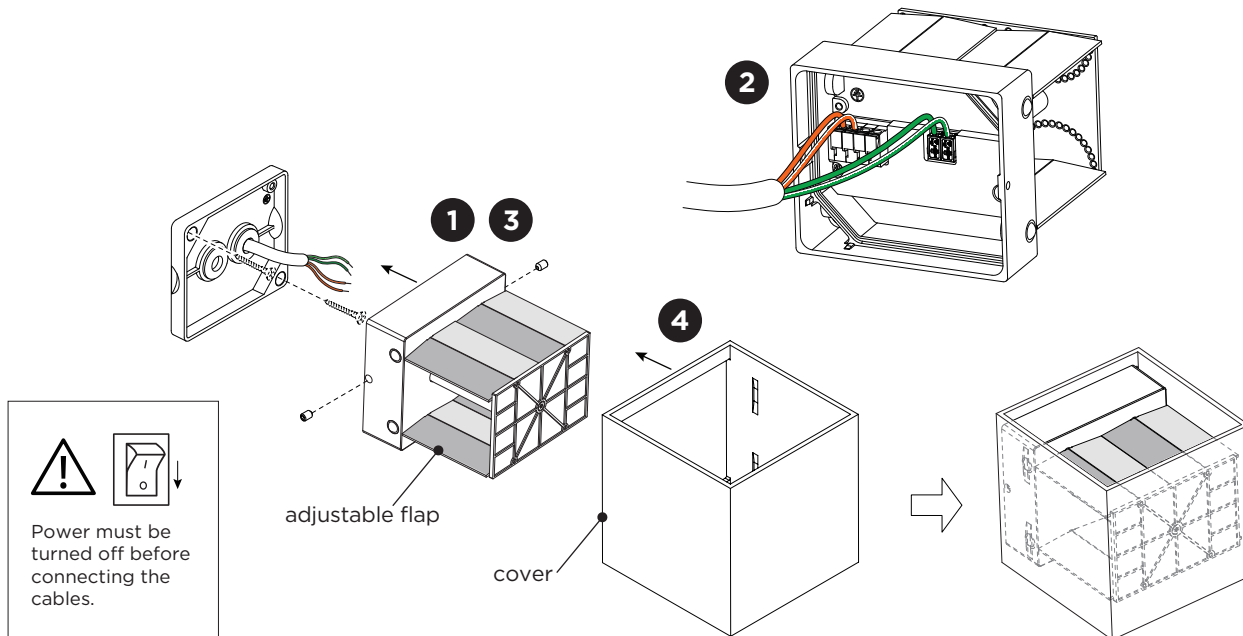
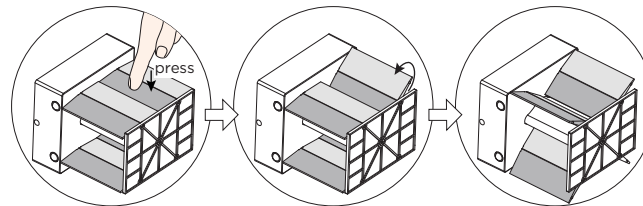


BOX / RAY WALL

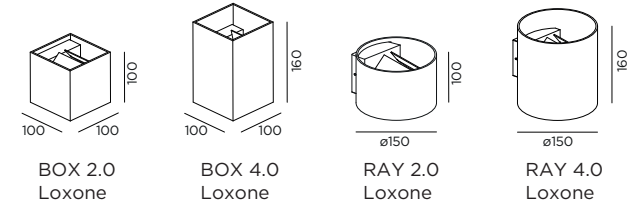
INSTALLATION INSTRUCTIONS | JUNE 2024



The beam angle is adjustable.
Before adjusting the flaps, the cover must be mounted.

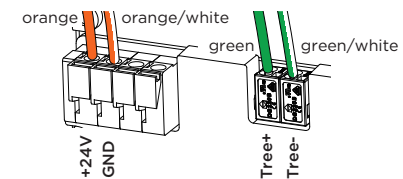


DIMENSIONS



MOUNTING INSTRUCTION

- 1 Remove the mounting base from the LED inset by loosening the socket screws and mount it on the wall with screws (screws are not included).
- 2 **POWER CONNECTION**
Connect the wires to the connectors.
Input Voltage 20-28V.
- 3 Mount the LED inset on the base with the socket screws.
- 4 Attach the cover to the LED inset by pushing so the ball catch system will fix in the slots.

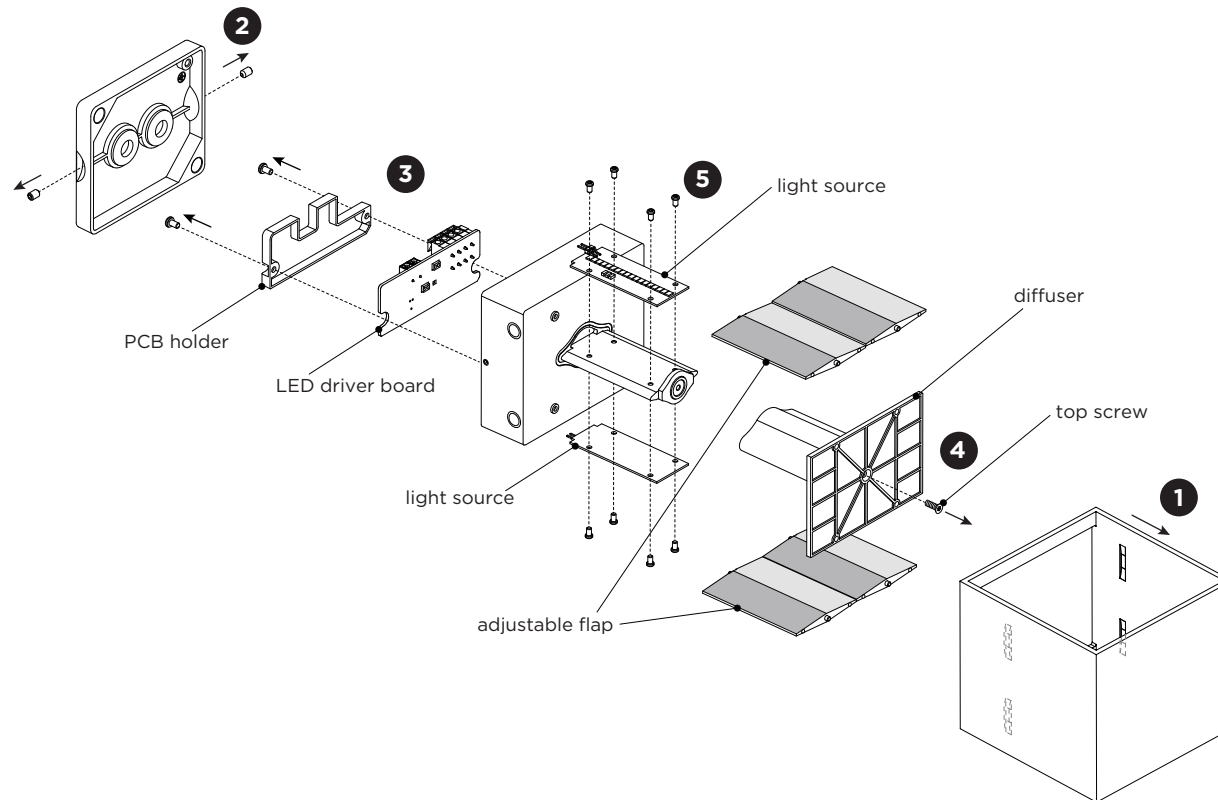


This fixture only works with Loxone TREE.



BOX / RAY WALL

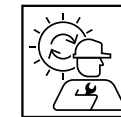
INSTALLATION INSTRUCTIONS | JUNE 2024



DISMOUNTING AND RECYCLING INSTRUCTIONS

Light source

- 1 Pull off the cover.
- 2 Loosen the socket screws and the wiring to take the LED module from the wall.
- 3 Unscrew the PCB holder and LED driver board to pull out the driver board.
- 4 Loosen the top screw to remove the adjustable flaps and diffuser.
- 5 Remove the light sources by unscrewing them.



The light source is replaceable by Wever & Ducré or by a professional with explicit authorisation. For more information please contact your local Wever & Ducré customer service point.



This luminaire contains a light source with the energy class F.



WEVER & DUCRÉ
LIGHTING

WEVER & DUCRÉ BV

Spinnerijstraat 99/21, 8500 Kortrijk, Belgium
weverducre.com